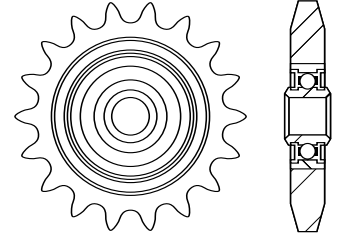


**AGRICULTURAL PARTS**

**ROLLER CHAIN IDLER SPROCKETS**



**40 Chain**

**50 Chain**

**60 Chain**

SPECIFICATIONS			
REFERENCE #	RB&H #	TEETH	BORE SIZE (IN.)
20401708	G40-17-1/2	17	1/2
20401710	G40-17-5/8	17	5/8

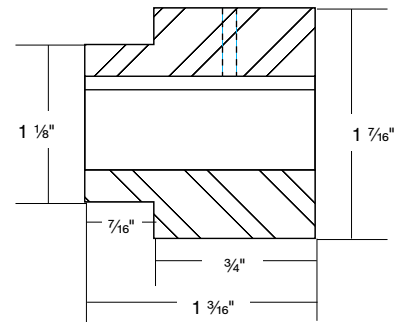
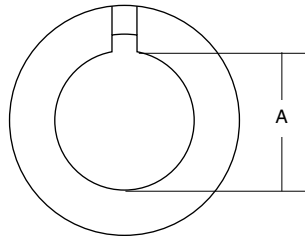
SPECIFICATIONS			
REFERENCE #	RB&H #	TEETH	BORE SIZE (IN.)
20501508	G50-15-1/2	15	1/2
20501510	G50-15-5/8	15	5/8

SPECIFICATIONS			
REFERENCE #	RB&H #	TEETH	BORE SIZE (IN.)
20601308	G60-13-1/2	13	1/2
20601310	G60-13-5/8	13	5/8

**HUBS**

**V Series**

SPECIFICATIONS		
REFERENCE #	RB&H #	TEETH
20010008	V1/2R	1/2
20010009	V9/16R	9/16
20010010	V5/8R	5/8
20010011	V11/16R	11/16
20010012	V3/4R	3/4
20010013	V13/16R	13/16
20010014	V7/8R	7/8



NOTE: All measurements of outside diameters are approximate