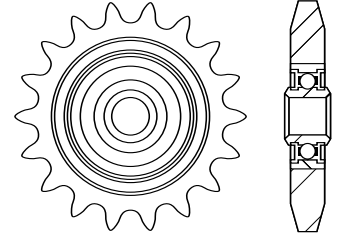


AGRICULTURAL PARTS

ROLLER CHAIN IDLER SPROCKETS



40 Chain

50 Chain

60 Chain

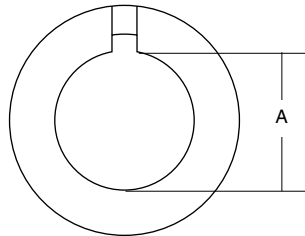
SPECIFICATIONS			
REFERENCE #	RB&H #	TEETH	BORE SIZE (IN.)
20401708	G40-17-1/2	17	1/2
20401710	G40-17-5/8	17	5/8

SPECIFICATIONS			
REFERENCE #	RB&H #	TEETH	BORE SIZE (IN.)
20501508	G50-15-1/2	15	1/2
20501510	G50-15-5/8	15	5/8

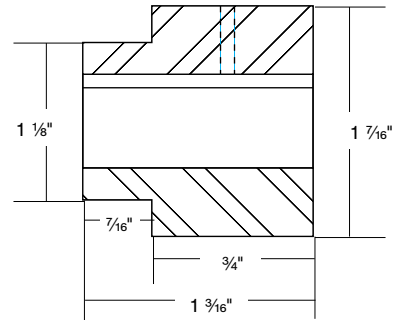
SPECIFICATIONS			
REFERENCE #	RB&H #	TEETH	BORE SIZE (IN.)
20601308	G60-13-1/2	13	1/2
20601310	G60-13-5/8	13	5/8

HUBS

SPECIFICATIONS		
REFERENCE #	RB&H #	TEETH
20010008	V1/2R	1/2
20010009	V9/16R	9/16
20010010	V5/8R	5/8
20010011	V11/16R	11/16
20010012	V3/4R	3/4
20010013	V13/16R	13/16
20010014	V7/8R	7/8



V Series

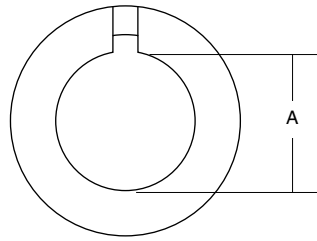
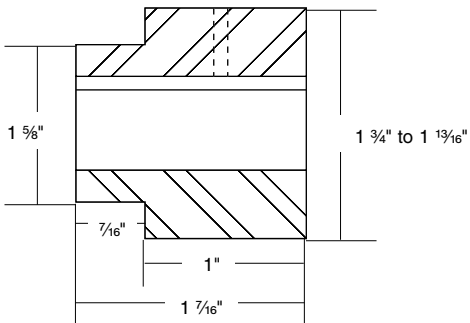


NOTE: All measurements of outside diameters are approximate

AGRICULTURAL PARTS

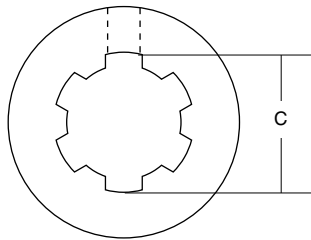
HUBS

W Series



Round Bore

(with keyway & set screw)



Spline Bore

(with set screw)

SPECIFICATIONS

REFERENCE #	RB&H #	DIM "A" (IN.)
20020008	W1/2R	1/2
20020009	W9/16R	9/16
20020010	W5/8R	5/8
20020011	W11/16R	11/16
20020012	W3/4R	3/4
20020013	W13/16R	13/16
20020014	W7/8R	7/8
20020015	W15/16R	15/16
20020016	W1R	1
20020017	W1-1/16R	1 1/16
20020018	W1-1/8R	1 1/8
20020019	W1-3/16R	1 3/16
20020020	W1-1/4R	1 1/4

SPECIFICATIONS

REFERENCE #	RB&H #	DIM "C" (IN.)
20021806	W1-1/8X6SP	1 1/8 x 6 spline
20022206	W1-3/8X6SP	1 3/8 x 6 spline
20022221	W1-3/8X21SP	1 3/8 x 21 spline

Standard Keyway Sizes

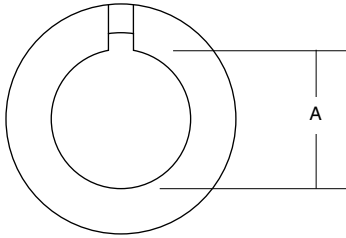
SPECIFICATIONS

BORE (IN.)	KEYWAY SIZE (IN.)
1/2 to 9/16	1/8 x 1/16
5/8 to 7/8	3/16 x 3/32
15/16 to 1 1/4	1/4 x 1/8
1 5/16 to 1 3/8	5/16 x 5/32
1 7/16 to 1 3/4	3/8 x 3/16
1 13/16 to 2 1/4	1/2 x 1/4
2 5/16 to 2 3/4	5/8 x 5/16
2 13/16 to 3	3/4 x 3/8
3 5/16 to 3 3/4	7/8 x 7/16
3 13/16 to 4 1/2	1 x 1/2

AGRICULTURAL PARTS

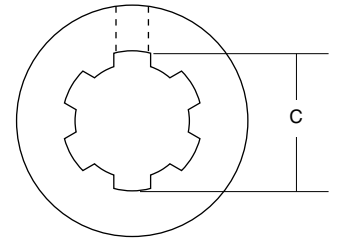
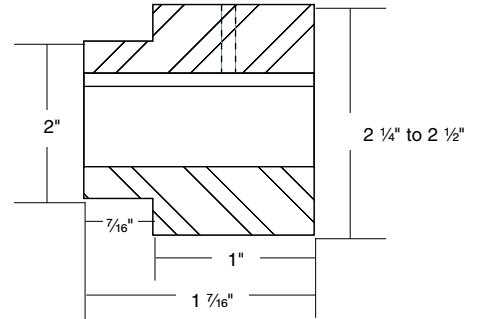
HUBS

X Series



Round Bore

(with keyway & set screw)



Spline Bore

(with set screw)

SPECIFICATIONS

RB&H #	REFERENCE #	KEYWAY SIZE (IN.)	DIM "A" (IN.)
20030010	X5/8R	1/4	5/8
20030011	X11/16R	1/4	1 1/16
20030012	X3/4R	1/4	3/4
20030013	X3/4R	1/4	3/4
20030014	X7/8R	1/4	7/8
20030015	X15/16R	1/4	15/16
20030016	X1R	1/4	1
20030017	X1-1/16R	1/4	1 1/16
20030018	X1-1/8R	1/4	1 1/8
20030019	X1-3/16R	1/4	1 3/16
20030020	X1-1/4R	1/4	1 1/4
20030021	X1-5/16R	1/4	1 5/16
20030024	X1-1/2R	1/2	1 1/2

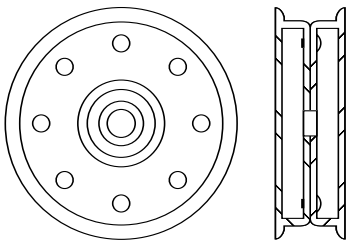
SPECIFICATIONS

REFERENCE #	RB&H #	DIM "C" (IN.)
20031806	X1-1/8X6SP	1 1/8 x 6 spline
20032206	X1-3/8X6SP	1 3/8 x 6 spline
20032221	X1-3/8X21SP	1 3/8 x 21 spline

PULLEYS

Fits V Series Hub

(Fits A or B Groove V-Belts)



Idler

(Fits A or B Groove V-Belts)

SPECIFICATIONS

REFERENCE #	RB&H #	OUTSIDE DIAMETER (IN.)
21010025	250V	2 1/2
21010030	300V	3

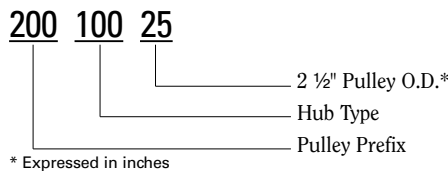
Fits W Series Hub

(Fits A or B Groove V-Belts)

SPECIFICATIONS

REFERENCE #	RB&H #	OUTSIDE DIAMETER (IN.)
21020035	350W	3 1/2
21020040	400W	4
21020045	450W	4 1/2
21020050	500W	5
21020055	550W	5 1/2
21020060	600W	6
21020065	650W	6 1/2
21020070	700W	7
21020080	800W	8
21020090	900W	9
21020100	1000W	10
21020110	1100W	11
21020120	1200W	12
21020140	1400W	14
21020160	1600W	16

Pulley # Identification System



* Expressed in inches

SPECIFICATIONS

RB&H #	REFERENCE #	BORE SIZE (IN.)	OUTSIDE DIAMETER (IN.)
23004008	IP408	1/2	4
23004010	IP410	5/8	4