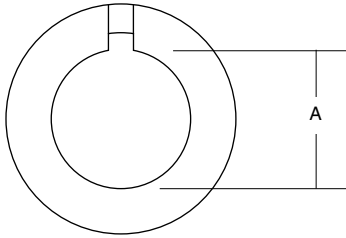


**AGRICULTURAL PARTS**

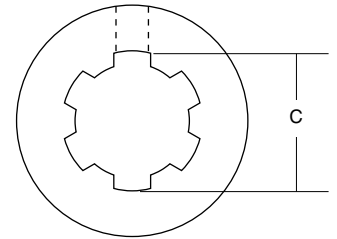
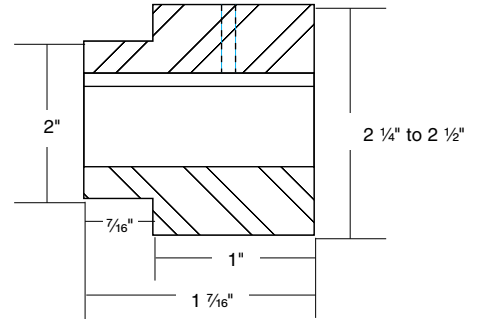
**HUBS**

**X Series**



**Round Bore**

(with keyway & set screw)



**Spline Bore**

(with set screw)

**SPECIFICATIONS**

RB&H #	REFERENCE #	KEYWAY SIZE (IN.)	DIM "A" (IN.)
20030010	X5/8R	1/4	5/8
20030011	X11/16R	1/4	1 1/16
20030012	X3/4R	1/4	3/4
20030013	X3/4R	1/4	3/4
20030014	X7/8R	1/4	7/8
20030015	X15/16R	1/4	15/16
20030016	X1R	1/4	1
20030017	X1-1/16R	1/4	1 1/16
20030018	X1-1/8R	1/4	1 1/8
20030019	X1-3/16R	1/4	1 3/16
20030020	X1-1/4R	1/4	1 1/4
20030021	X1-5/16R	1/4	1 5/16
20030024	X1-1/2R	1/2	1 1/2

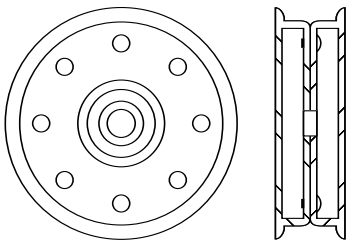
**SPECIFICATIONS**

REFERENCE #	RB&H #	DIM "C" (IN.)
20031806	X1-1/8X6SP	1 1/8 x 6 spline
20032206	X1-3/8X6SP	1 3/8 x 6 spline
20032221	X1-3/8X21SP	1 3/8 x 21 spline

**PULLEYS**

**Fits V Series Hub**

(Fits A or B Groove V-Belts)



**Idler**

(Fits A or B Groove V-Belts)

**SPECIFICATIONS**

REFERENCE #	RB&H #	OUTSIDE DIAMETER (IN.)
21010025	250V	2 1/2
21010030	300V	3

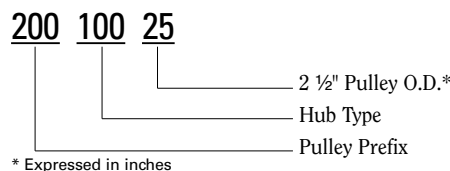
**Fits W Series Hub**

(Fits A or B Groove V-Belts)

**SPECIFICATIONS**

REFERENCE #	RB&H #	OUTSIDE DIAMETER (IN.)
21020035	350W	3 1/2
21020040	400W	4
21020045	450W	4 1/2
21020050	500W	5
21020055	550W	5 1/2
21020060	600W	6
21020065	650W	6 1/2
21020070	700W	7
21020080	800W	8
21020090	900W	9
21020100	1000W	10
21020110	1100W	11
21020120	1200W	12
21020140	1400W	14
21020160	1600W	16

**Pulley # Identification System**



\* Expressed in inches

**SPECIFICATIONS**

RB&H #	REFERENCE #	BORE SIZE (IN.)	OUTSIDE DIAMETER (IN.)
23004008	IP408	1/2	4
23004010	IP410	5/8	4