

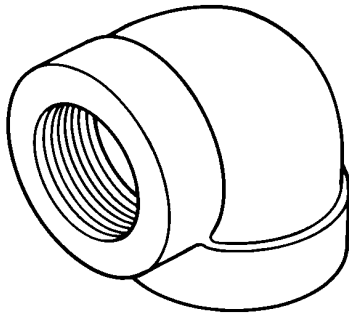
BLACK IRON PIPE

FITTINGS

Black Iron Pipe Fittings and Nipples Schedule 40 Fittings

Best if kept below 1,200 psi

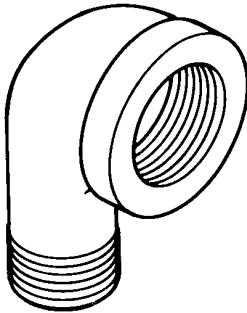
90° Elbow



SPECIFICATIONS

RB&H #	SIZE (IN.)
1/8-90-EL	1/8
1/4-90-EL	1/4
3/8-90-EL	3/8
1/2-90-EL	1/2
3/4-90-EL	3/4
1-90-EL	1
1-1/4-90-EL	1 1/4
1-1/2-90-EL	1 1/2
2-90-EL	2
3-90-EL	3
4-90-EL	4

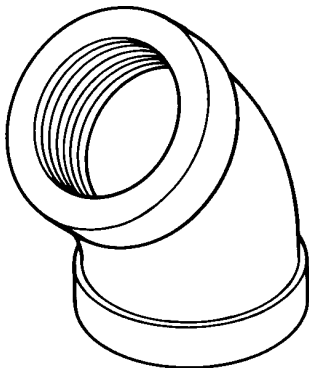
90° Street Elbow



SPECIFICATIONS

RB&H #	SIZE (IN.)
1/8-90-ST-EL	1/8
1/4-90-ST-EL	1/4
3/8-90-ST-EL	3/8
1/2-90-ST-EL	1/2
3/4-90-ST-EL	3/4
1-90-ST-EL	1
1-1/4-90-ST-EL	1 1/4
1-1/2-90-ST-EL	1 1/2
2-90-ST-EL	2
3-90-ST-EL	3

45° Elbow



SPECIFICATIONS

RB&H #	SIZE (IN.)
1/8-45-EL	1/8
1/4-45-EL	1/4
3/8-45-EL	3/8
1/2-45-EL	1/2
3/4-45-EL	3/4
1-45-EL	1
1-1/4-45-EL	1 1/4
1-1/2-45-EL	1 1/2
2-45-EL	2
3-45-EL	3
4-45-EL	4

*Add /USA to RBH # for American made.

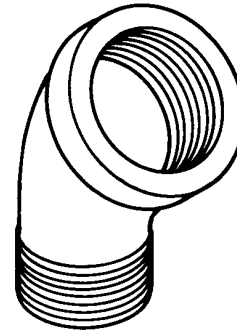
BLACK IRON PIPE

FITTINGS

SPECIFICATIONS

RB&H #	SIZE (IN.)
1/8-45-ST-EL	1/8
1/4-45-ST-EL	1/4
3/8-45-ST-EL	3/8
1/2-45-ST-EL	1/2
3/4-45-ST-EL	3/4
1-45-ST-EL	1
1-1/4-45-ST-EL	1 1/4
1-1/2-45-ST-EL	1 1/2
2-45-ST-EL	2

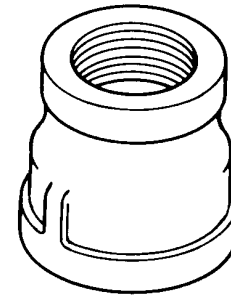
45° Street Elbow



SPECIFICATIONS

RB&H #	SIZE (IN.)
1/4X1/8-RED-COUP	1/4 x 1/8
3/8X1/4-RED-COUP	3/8 x 1/4
1/2X1/8-RED-COUP	1/2 x 1/8
1/2X1/4-RED-COUP	1/2 x 1/4
1/2X3/8-RED-COUP	1/2 x 3/8
3/4X1/4-RED-COUP	3/4 x 1/4
3/4X3/8-RED-COUP	3/4 x 3/8
3/4X1/2-RED-COUP	3/4 x 1/2
1X3/8-RED-COUP	1 x 3/8
1X1/2-RED-COUP	1 x 1/2
1X3/4-RED-COUP	1 x 3/4
1-1/4X1-RED-COUP	1 1/4 x 1
1-1/2X3/4-RED-COUP	1 1/2 x 3/4
1-1/2X1-RED-COUP	1 1/2 x 1
1-1/2X1-1/4-RED-COUP	1 1/2 x 1 1/4
2X3/4-RED-COUP	2 x 3/4
2X1-RED-COUP	2 x 1
2X1-1/4-RED-COUP	2 x 1 1/4
2X1-1/2-RED-COUP	2 x 1 1/2
3X2-RED-COUP	3 x 2
3X2-1/2-RED-COUP	3 x 2 1/2
4X2-RED-COUP	4 x 2
4X3-RED-COUP	4 x 3

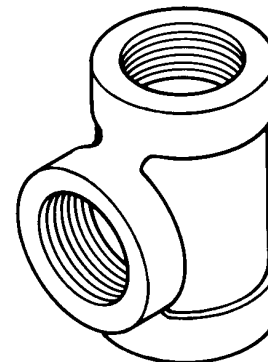
Reducing Couplings



SPECIFICATIONS

RB&H #	SIZE (IN.)
1/8-TEE	1/8
1/4-TEE	1/4
3/8-TEE	3/8
1/2-TEE	1/2
3/4-TEE	3/4
1-TEE	1
1-1/4-TEE	1 1/4
1-1/2-TEE	1 1/2
2-TEE	2
3-TEE	3

Tees

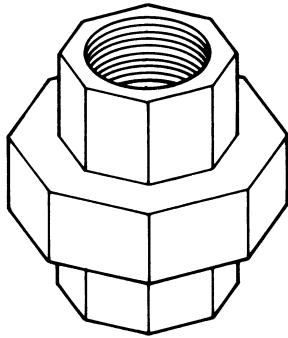


*Add /USA to RBH # for American made.

BLACK IRON PIPE

FITTINGS

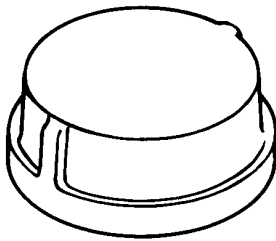
Unions



SPECIFICATIONS

RB&H #	SIZE (IN.)
1/8-UNION	1/8
1/4-UNION	1/4
3/8-UNION	3/8
1/2-UNION	1/2
3/4-UNION	3/4
1-UNION	1
1-1/4-UNION	1 1/4
1-1/2-UNION	1 1/2
2-UNION	2
2-1/2-UNION	2 1/2
3-UNION	3
4-UNION	4

Caps

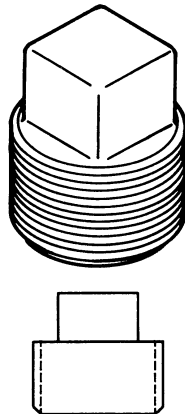


SPECIFICATIONS

RB&H #	NPS (IN.)
1/8-CAP	1/8
1/4-CAP	1/4
3/8-CAP	3/8
1/2-CAP	1/2
3/4-CAP	3/4
1-CAP	1
1-1/4-CAP	1 1/4
1-1/2-CAP	1 1/2
2-CAP	2
3-CAP	3

Plugs

SQUARE HEAD



SPECIFICATIONS

RB&H #	SIZE (IN.)
1/8-PLUG	1/8
1/4-PLUG	1/4
3/8-PLUG	3/8
1/2-PLUG	1/2
3/4-PLUG	3/4
1-PLUG	1
1-1/4-PLUG	1 1/4
1-1/2-PLUG	1 1/2
2-PLUG	2
3-PLUG	3
4-PLUG	4

*Add /USA to RBH # for American made.

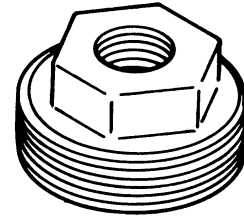
BLACK IRON PIPE

FITTINGS

SPECIFICATIONS

RB&H #	SIZE (IN.)
1/4X1/8-BUSH	1/4 x 1/8
3/8X1/8-BUSH	3/8 x 1/8
3/8X1/4-BUSH	3/8 x 1/4
1/2X1/8-BUSH	1/2 x 1/8
1/2X1/4-BUSH	1/2 x 1/4
1/2X3/8-BUSH	1/2 x 3/8
3/4X1/8-BUSH	3/4 x 1/8
3/4X1/4-BUSH	3/4 x 1/4
3/4X3/8-BUSH	3/4 x 3/8
3/4X1/2-BUSH	3/4 x 1/2
1X1/4-BUSH	1 x 1/4
1X3/8-BUSH	1 x 3/8
1X1/2-BUSH	1 x 1/2
1X3/4-BUSH	1 x 3/4
1-1/4X3/8-BUSH	1 1/4 x 3/8
1-1/4X1/2-BUSH	1 1/4 x 1/2
1-1/4X3/4-BUSH	1 1/4 x 3/4
1-1/2X1/4-BUSH	1 1/2 x 1/4
1-1/2X1/2-BUSH	1 1/2 x 1/2
1-1/2X3/4-BUSH	1 1/2 x 3/4
1-1/2X1-1/4-BUSH	1 1/2 x 1 1/4
2X1/4-BUSH	2 x 1/4
2X3/8-BUSH	2 x 3/8
2X1/2-BUSH	2 x 1/2
2X1-BUSH	2 x 1
2X1-1/4-BUSH	2 x 1 1/4
2X1-1/2-BUSH	2 x 1 1/2
2-1/2X2-BUSH	2 1/2 x 2
3X1-1/2-BUSH	3 x 1 1/2
3X2-BUSH	3 x 2
3X2-1/2-BUSH	3 x 2 1/2
4X3-BUSH	4 x 3

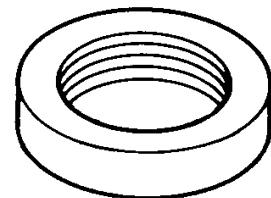
Hex Bushings



SPECIFICATIONS

RB&H #	SIZE (IN.)
1/8-MERC-COUP	1/8
1/4-MERC-COUP	1/4
3/8-MERC-COUP	3/8
1/2-MERC-COUP	1/2
3/4-MERC-COUP	3/4
1-MERC-COUP	1
1-1/4-MERC-COUP	1 1/4
1-1/2-MERC-COUP	1 1/2
2-MERC-COUP	2
3-MERC-COUP	3
4-MERC-COUP	4

Merchant Couplings



*Add /USA to RBH # for American made.