

**Black Iron Pipe**  
*ROYAL BRASS AND HOSE*

<b>ITEM</b>	<b>PAGE #</b>
<b>Fittings</b>	
<b>Black Iron Pipe Fittings and Nipples Schedule 40 Fittings</b>	
90° Elbow .....	404
90° Street Elbow .....	404
45° Elbow .....	404
45° Street Elbow .....	405
Reducing Couplings .....	405
Tees .....	405
Unions .....	406
Caps .....	406
Plugs Square Head .....	406
Hex Bushings .....	407
Merchant Couplings .....	407
<b>Nipple Diameters</b>	
1/8" .....	408
1/4" .....	408
3/8" .....	408
1/2" .....	408
3/4" .....	408
1" .....	408
1 1/4" .....	408
1 1/2" .....	408
2" .....	408
3" .....	408
4" .....	408

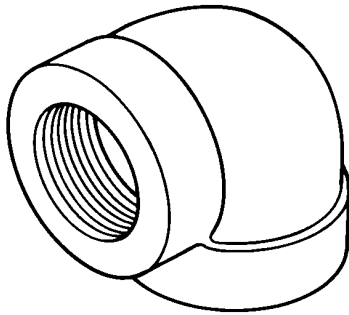
**BLACK IRON PIPE**

**FITTINGS**

**Black Iron Pipe Fittings and Nipples Schedule 40 Fittings**

Best if kept below 1,200 psi

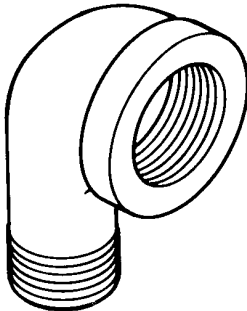
**90° Elbow**



**SPECIFICATIONS**

RB&H #	SIZE (IN.)
1/8-90-EL	1/8
1/4-90-EL	1/4
3/8-90-EL	3/8
1/2-90-EL	1/2
3/4-90-EL	3/4
1-90-EL	1
1-1/4-90-EL	1 1/4
1-1/2-90-EL	1 1/2
2-90-EL	2
3-90-EL	3
4-90-EL	4

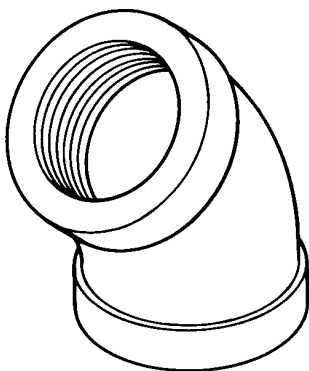
**90° Street Elbow**



**SPECIFICATIONS**

RB&H #	SIZE (IN.)
1/8-90-ST-EL	1/8
1/4-90-ST-EL	1/4
3/8-90-ST-EL	3/8
1/2-90-ST-EL	1/2
3/4-90-ST-EL	3/4
1-90-ST-EL	1
1-1/4-90-ST-EL	1 1/4
1-1/2-90-ST-EL	1 1/2
2-90-ST-EL	2
3-90-ST-EL	3

**45° Elbow**



**SPECIFICATIONS**

RB&H #	SIZE (IN.)
1/8-45-EL	1/8
1/4-45-EL	1/4
3/8-45-EL	3/8
1/2-45-EL	1/2
3/4-45-EL	3/4
1-45-EL	1
1-1/4-45-EL	1 1/4
1-1/2-45-EL	1 1/2
2-45-EL	2
3-45-EL	3
4-45-EL	4

\*Add /USA to RBH # for American made.

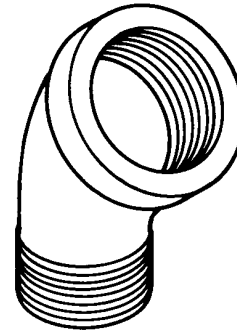
**BLACK IRON PIPE**

**FITTINGS**

**SPECIFICATIONS**

RB&H #	SIZE (IN.)
1/8-45-ST-EL	1/8
1/4-45-ST-EL	1/4
3/8-45-ST-EL	3/8
1/2-45-ST-EL	1/2
3/4-45-ST-EL	3/4
1-45-ST-EL	1
1-1/4-45-ST-EL	1 1/4
1-1/2-45-ST-EL	1 1/2
2-45-ST-EL	2

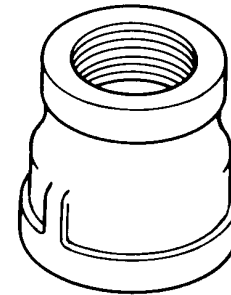
**45° Street Elbow**



**SPECIFICATIONS**

RB&H #	SIZE (IN.)
1/4X1/8-RED-COUP	1/4 x 1/8
3/8X1/4-RED-COUP	3/8 x 1/4
1/2X1/8-RED-COUP	1/2 x 1/8
1/2X1/4-RED-COUP	1/2 x 1/4
1/2X3/8-RED-COUP	1/2 x 3/8
3/4X1/4-RED-COUP	3/4 x 1/4
3/4X3/8-RED-COUP	3/4 x 3/8
3/4X1/2-RED-COUP	3/4 x 1/2
1X3/8-RED-COUP	1 x 3/8
1X1/2-RED-COUP	1 x 1/2
1X3/4-RED-COUP	1 x 3/4
1-1/4X1-RED-COUP	1 1/4 x 1
1-1/2X3/4-RED-COUP	1 1/2 x 3/4
1-1/2X1-RED-COUP	1 1/2 x 1
1-1/2X1-1/4-RED-COUP	1 1/2 x 1 1/4
2X3/4-RED-COUP	2 x 3/4
2X1-RED-COUP	2 x 1
2X1-1/4-RED-COUP	2 x 1 1/4
2X1-1/2-RED-COUP	2 x 1 1/2
3X2-RED-COUP	3 x 2
3X2-1/2-RED-COUP	3 x 2 1/2
4X2-RED-COUP	4 x 2
4X3-RED-COUP	4 x 3

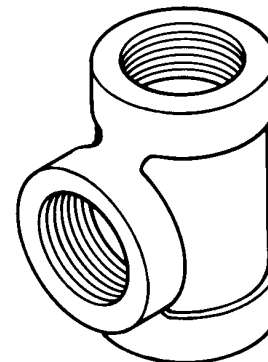
**Reducing Couplings**



**SPECIFICATIONS**

RB&H #	SIZE (IN.)
1/8-TEE	1/8
1/4-TEE	1/4
3/8-TEE	3/8
1/2-TEE	1/2
3/4-TEE	3/4
1-TEE	1
1-1/4-TEE	1 1/4
1-1/2-TEE	1 1/2
2-TEE	2
3-TEE	3

**Tees**

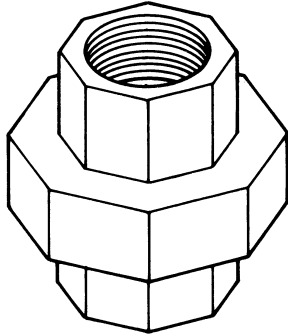


\*Add /USA to RBH # for American made.

**BLACK IRON PIPE**

**FITTINGS**

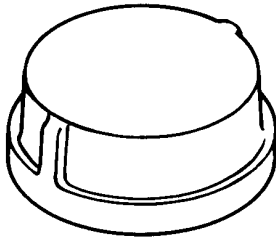
**Unions**



**SPECIFICATIONS**

RB&H #	SIZE (IN.)
1/8-UNION	1/8
1/4-UNION	1/4
3/8-UNION	3/8
1/2-UNION	1/2
3/4-UNION	3/4
1-UNION	1
1-1/4-UNION	1 1/4
1-1/2-UNION	1 1/2
2-UNION	2
2-1/2-UNION	2 1/2
3-UNION	3
4-UNION	4

**Caps**

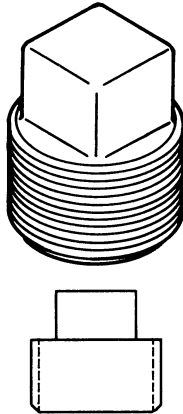


**SPECIFICATIONS**

RB&H #	NPS (IN.)
1/8-CAP	1/8
1/4-CAP	1/4
3/8-CAP	3/8
1/2-CAP	1/2
3/4-CAP	3/4
1-CAP	1
1-1/4-CAP	1 1/4
1-1/2-CAP	1 1/2
2-CAP	2
3-CAP	3

**Plugs**

SQUARE HEAD



**SPECIFICATIONS**

RB&H #	SIZE (IN.)
1/8-PLUG	1/8
1/4-PLUG	1/4
3/8-PLUG	3/8
1/2-PLUG	1/2
3/4-PLUG	3/4
1-PLUG	1
1-1/4-PLUG	1 1/4
1-1/2-PLUG	1 1/2
2-PLUG	2
3-PLUG	3
4-PLUG	4

\*Add /USA to RBH # for American made.

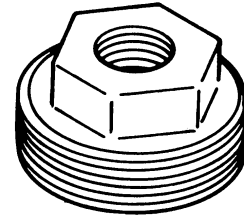
**BLACK IRON PIPE**

**FITTINGS**

**SPECIFICATIONS**

RB&H #	SIZE (IN.)
1/4X1/8-BUSH	1/4 x 1/8
3/8X1/8-BUSH	3/8 x 1/8
3/8X1/4-BUSH	3/8 x 1/4
1/2X1/8-BUSH	1/2 x 1/8
1/2X1/4-BUSH	1/2 x 1/4
1/2X3/8-BUSH	1/2 x 3/8
3/4X1/8-BUSH	3/4 x 1/8
3/4X1/4-BUSH	3/4 x 1/4
3/4X3/8-BUSH	3/4 x 3/8
3/4X1/2-BUSH	3/4 x 1/2
1X1/4-BUSH	1 x 1/4
1X3/8-BUSH	1 x 3/8
1X1/2-BUSH	1 x 1/2
1X3/4-BUSH	1 x 3/4
1-1/4X3/8-BUSH	1 1/4 x 3/8
1-1/4X1/2-BUSH	1 1/4 x 1/2
1-1/4X3/4-BUSH	1 1/4 x 3/4
1-1/2X1/4-BUSH	1 1/2 x 1/4
1-1/2X1/2-BUSH	1 1/2 x 1/2
1-1/2X3/4-BUSH	1 1/2 x 3/4
1-1/2X1-1/4-BUSH	1 1/2 x 1 1/4
2X1/4-BUSH	2 x 1/4
2X3/8-BUSH	2 x 3/8
2X1/2-BUSH	2 x 1/2
2X1-BUSH	2 x 1
2X1-1/4-BUSH	2 x 1 1/4
2X1-1/2-BUSH	2 x 1 1/2
2-1/2X2-BUSH	2 1/2 x 2
3X1-1/2-BUSH	3 x 1 1/2
3X2-BUSH	3 x 2
3X2-1/2-BUSH	3 x 2 1/2
4X3-BUSH	4 x 3

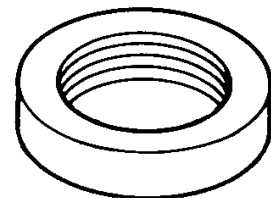
**Hex Bushings**



**SPECIFICATIONS**

RB&H #	SIZE (IN.)
1/8-MERC-COUP	1/8
1/4-MERC-COUP	1/4
3/8-MERC-COUP	3/8
1/2-MERC-COUP	1/2
3/4-MERC-COUP	3/4
1-MERC-COUP	1
1-1/4-MERC-COUP	1 1/4
1-1/2-MERC-COUP	1 1/2
2-MERC-COUP	2
3-MERC-COUP	3
4-MERC-COUP	4

**Merchant Couplings**

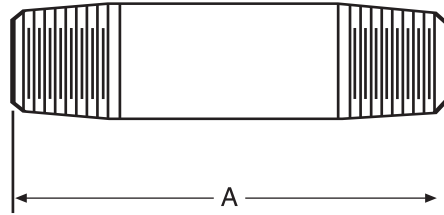


\*Add /USA to RBH # for American made.

**BLACK IRON PIPE**

**NIPPLES**

**Nipple Diameters**



1/8"

<b>SPECIFICATIONS</b>	
RB&H #	"A" LENGTH (IN.)
1/8X1-1/2-NIP	1 1/2
1/8X2-NIP	2
1/8X2-1/2-NIP	2 1/2
1/8X3-NIP	3
1/8X3-1/2-NIP	3 1/2
1/8X4-NIP	4
1/8X4-1/2-NIP	4 1/2
1/8X5-NIP	5
1/8X5-1/2-NIP	5 1/2
1/8X6-NIP	6

1/4"

<b>SPECIFICATIONS</b>	
RB&H #	"A" LENGTH (IN.)
1/4-CLOSE-NIP	Close
1/4X1-1/2-NIP	1 1/2
1/4X2-NIP	2
1/4X2-1/2-NIP	2 1/2
1/4X3-NIP	3
1/4X3-1/2-NIP	3 1/2
1/4X4-NIP	4
1/4X4-1/2-NIP	4 1/2
1/4X5-NIP	5
1/4X5-1/2-NIP	5 1/2
1/4X6-NIP	6

3/8"

<b>SPECIFICATIONS</b>	
RB&H #	"A" LENGTH (IN.)
3/8-CLOSE-NIP	Close
3/8X1-1/2-NIP	1 1/2
3/8X2-NIP	2
3/8X2-1/2-NIP	2 1/2
3/8X3-NIP	3
3/8X3-1/2-NIP	3 1/2
3/8X4-NIP	4
3/8X4-1/2-NIP	4 1/2
3/8X5-NIP	5
3/8X5-1/2-NIP	5 1/2
3/8X6-NIP	6

1/2"

<b>SPECIFICATIONS</b>	
RB&H #	"A" LENGTH (IN.)
1/2-CLOSE-NIP	Close
1/2X1-1/2-NIP	1 1/2
1/2X2-NIP	2
1/2X2-1/2-NIP	2 1/2
1/2X3-NIP	3
1/2X3-1/2-NIP	3 1/2
1/2X4-NIP	4
1/2X4-1/2-NIP	4 1/2
1/2X5-NIP	5
1/2X5-1/2-NIP	5 1/2
1/2X6-NIP	6

3/4"

<b>SPECIFICATIONS</b>	
RB&H #	"A" LENGTH (IN.)
3/4-CLOSE-NIP	Close
3/4X1-1/2-NIP	1 1/2
3/4X2-NIP	2
3/4X2-1/2-NIP	2 1/2
3/4X3-NIP	3
3/4X3-1/2-NIP	3 1/2
3/4X4-NIP	4
3/4X4-1/2-NIP	4 1/2
3/4X5-NIP	5
3/4X5-1/2-NIP	5 1/2
3/4X6-NIP	6

1"

<b>SPECIFICATIONS</b>	
RB&H #	"A" LENGTH (IN.)
1-CLOSE-NIP	Close
1X2-NIP	2
1X2-1/2-NIP	2 1/2
1X3-NIP	3
1X3-1/2-NIP	3 1/2
1X4-NIP	4
1X4-1/2-NIP	4 1/2
1X5-NIP	5
1X5-1/2-NIP	5 1/2
1X6-NIP	6

1 1/4"

<b>SPECIFICATIONS</b>	
RB&H #	"A" LENGTH (IN.)
1-1/4-CLOSE-NIP	Close
1-1/4X2-NIP	2
1-1/4X2-1/2-NIP	2 1/2
1-1/4X3-NIP	3
1-1/4X4-NIP	4
1-1/4X5-NIP	5
1-1/4X6-NIP	6

1 1/2"

<b>SPECIFICATIONS</b>	
RB&H #	"A" LENGTH (IN.)
1-1/2-CLOSE-NIP	Close
1-1/2X2-NIP	2
1-1/2X3-NIP	3
1-1/2X4-NIP	4
1-1/2X5-NIP	5
1-1/2X6-NIP	6

2"

<b>SPECIFICATIONS</b>	
RB&H #	"A" LENGTH (IN.)
2-CLOSE-NIP	Close
2x2-1/2-NIP	2 1/2
2x3-NIP	3
2x4-NIP	4
2x5-NIP	5
2x6-NIP	6

3"

<b>SPECIFICATIONS</b>	
RB&H #	"A" LENGTH (IN.)
3-CLOSE-NIP	Close
3x3-NIP	3
3x4-NIP	4
3x5-NIP	5
3x6-NIP	6

4"

<b>SPECIFICATIONS</b>	
RB&H #	"A" LENGTH (IN.)
4-CLOSE-NIP	Close
4x4-NIP	4
4x5-NIP	5
4x6-NIP	6